

packaging division

MPT



 **CURTI**

CURTI COSTRUZIONI MECCANICHE S.p.A.



1002
1004

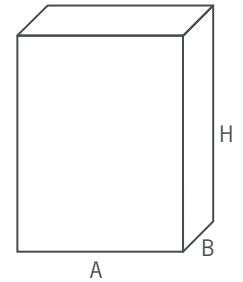
l'efficacia della semplicità

VERTICAL CARTONING MACHINE MODEL 1002/1004

- rotary carton feeding system with 3 - 5 arms
- quick size changeover
- very limited maintenance
- supreme hygiene standards
- product feeding: volumetric doser,
auger doser, weighers
- closure: hot melt, cold glue, siftproof, tuck-in
- 6 dosing cups (1002) and 15 dosing cups (1004)
- clockwise motion (option: anti-clockwise)
- products: detergent powder, short pasta, sweets,
chocolate powder, sugar, salt, dried fruit,
dried vegetable, rice, flour, pet food, seeds,
spare parts, powdery products, etc.

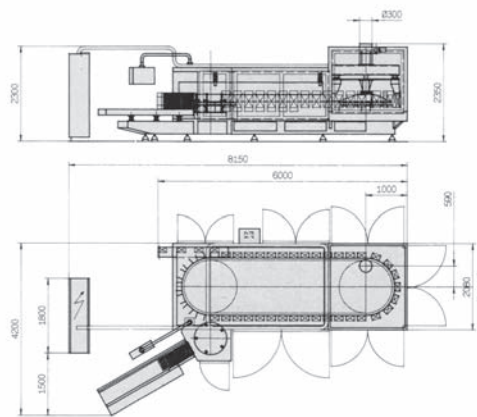


	A X B X H		
MIN	80	X 30	X 120 mm
MAX	200	X 100	X 310 mm



1002	Kw 5,9	NI/1 130	Cpm 150
1004	Kw 12,9	NI/1 225	Cpm 300

1004



1002

