

packaging division



 **CURTI**

CURTI COSTRUZIONI MECCANICHE S.p.A.



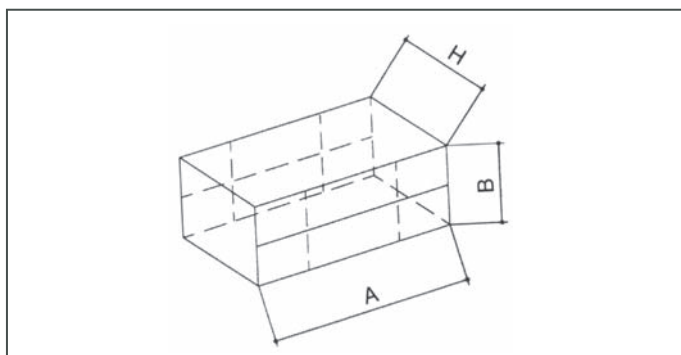
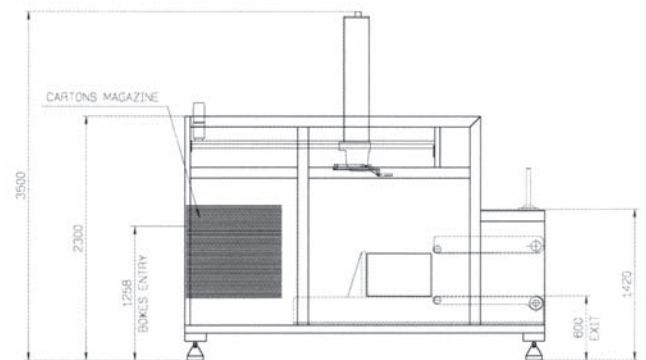
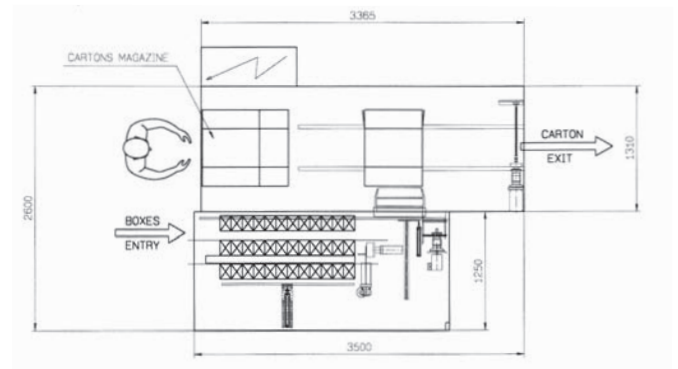
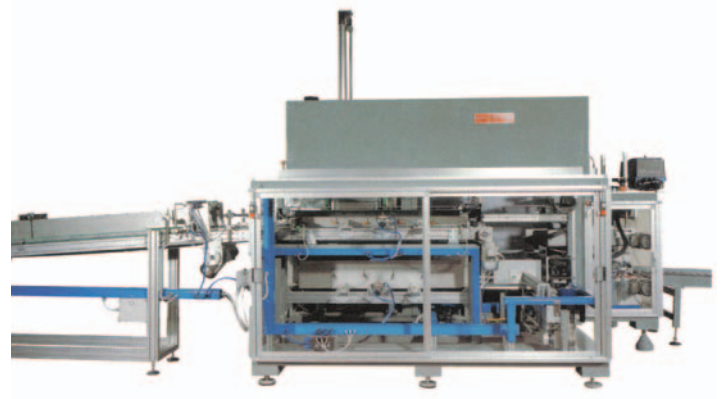
BOXPACK 150

l'efficacia della semplicità

BOXPACK 150

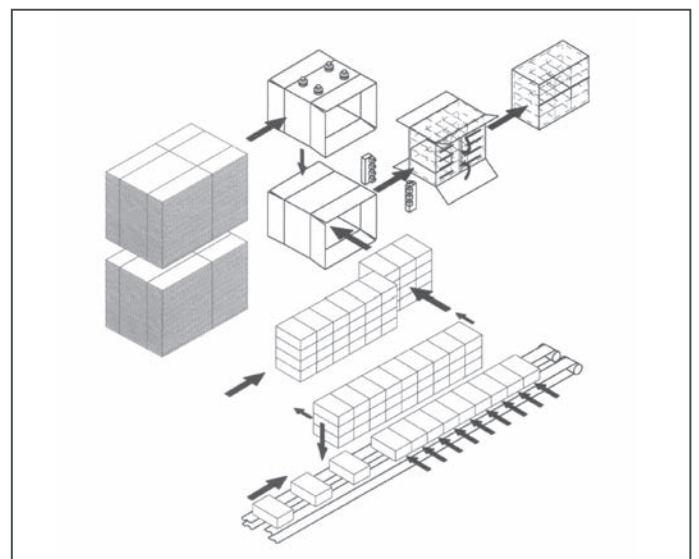
MACHINE SPECIFICATIONS

- vertical carton magazine easy to load and automatic size changeover
- positive cartons opening by means of suction arms
- servomotor movements (belts and brushless motors)
- insertion of the boxes-bunching inside the carton by motorized pusher
- full safety guards complete with safety switch-off
- carton closure with either hot-melt system or taping device
- self-diagnostic messages and production statistics from operator panel
- max level of hygiene standards in production



CARTON DIMENTIONS

		mm		
	MIN	200	150	150
	MAX	600	400	400



Questi dati potranno essere variati senza preavviso . This data can be changed without notice.

Let données indiquées peuvent être changées, sans avis de notre part . Die angegebene Daten koennen ohne Vorankuendigung geaendert werden.
Curti Costruzione Meccaniche S.p.A. Via Emilia Ponente 750 . 48014 Catel Bolognese . Ravenna . Italy T. +39 0546 656 065 W. www.curti-it.com