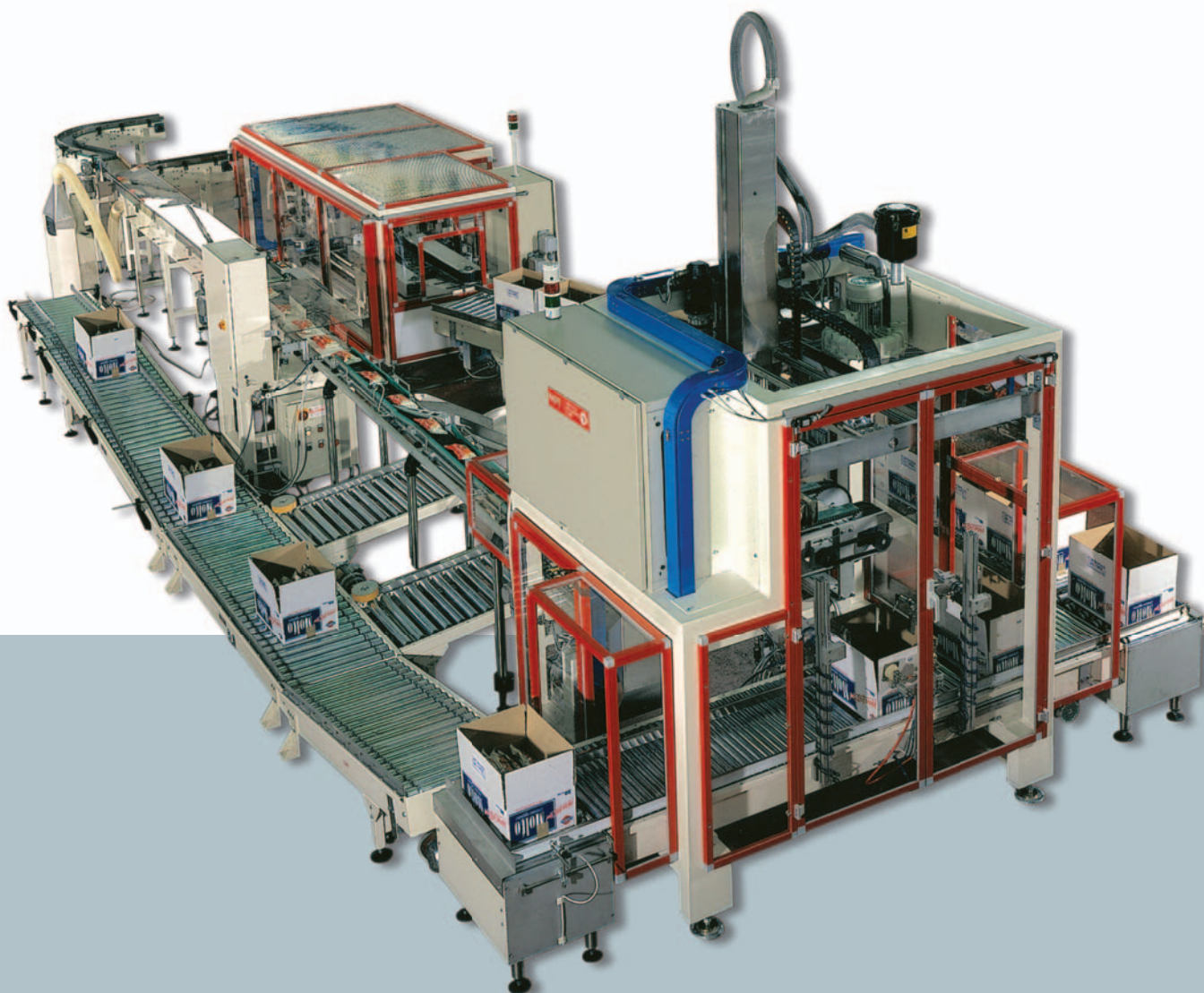


packaging division



 **CURTI**

CURTI COSTRUZIONI MECCANICHE S.p.A.



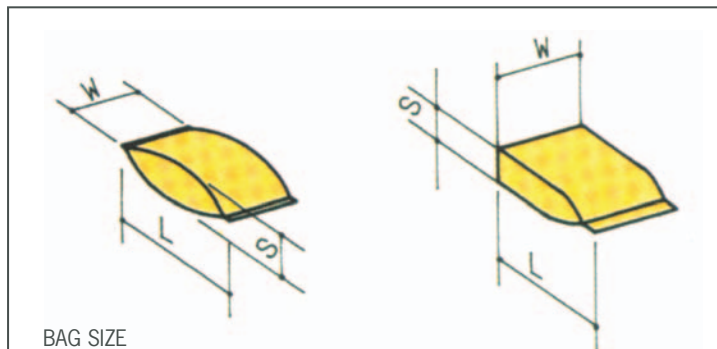
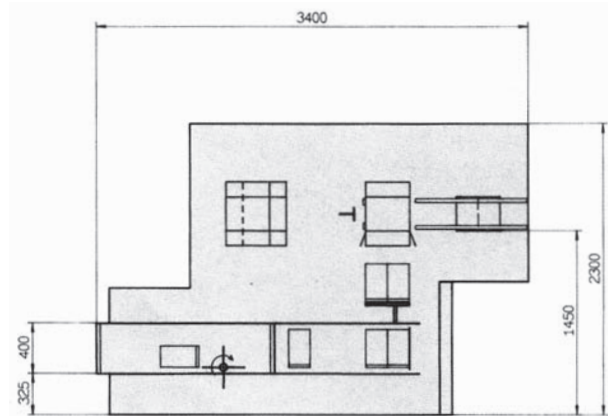
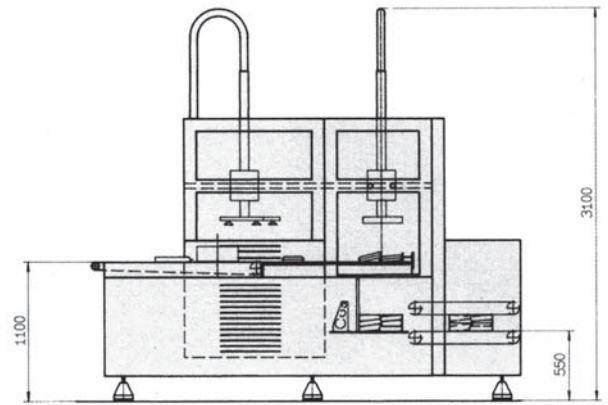
BAGSPACK 120

l'efficacia della semplicità

BAGSPACK 120

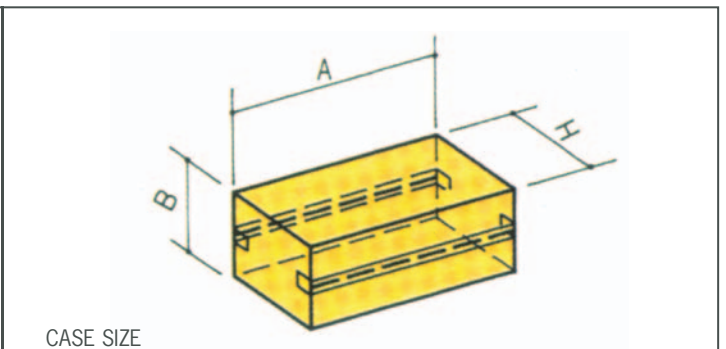
AUTOMATIC CASE PACKER FOR STANDING BAGS INTO THE CASE

- case erecting and closing (American type RSC) with vertical case magazine for easy loading. Case erecting with two controlled axis and positive opening
- layers of bags are transferred into a cassette by means of one high speed robotized arm
- bag transfer into the case by cassette inserting into the case itself
- case closing with hot melt or sealing tape
- quick and easy size changeover through handwheels and digital position indicators with four figures and storage of all electronic functions
- special version with case magazine on the left
- supreme hygiene standards, easy clean
- low maintenance requirements free from lubrication
- very gentle product handling
- products which can be packaged: potato crisps, snacks, biscuits, cereals, and cartons



BAG SIZE

	mm			inches		
MIN	60	70	15	2.3	2.9	0.6
MAX	250	400	100	9.75	15.7	3.9
	W	L	S	W	L	S



CASE SIZE

	mm			inches		
MIN	240	150	150	7.9	5.9	5.9
MAX	600	400	400	23.6	15.7	15.7
	A	B	H	A	B	H

Questi dati potranno essere variati senza preavviso . This data can be changed without notice.

Let données indiquées peuvent être changées, sans avis de notre part . Die angegebene Daten koennen ohne Vorankuendigung geaendert werden.